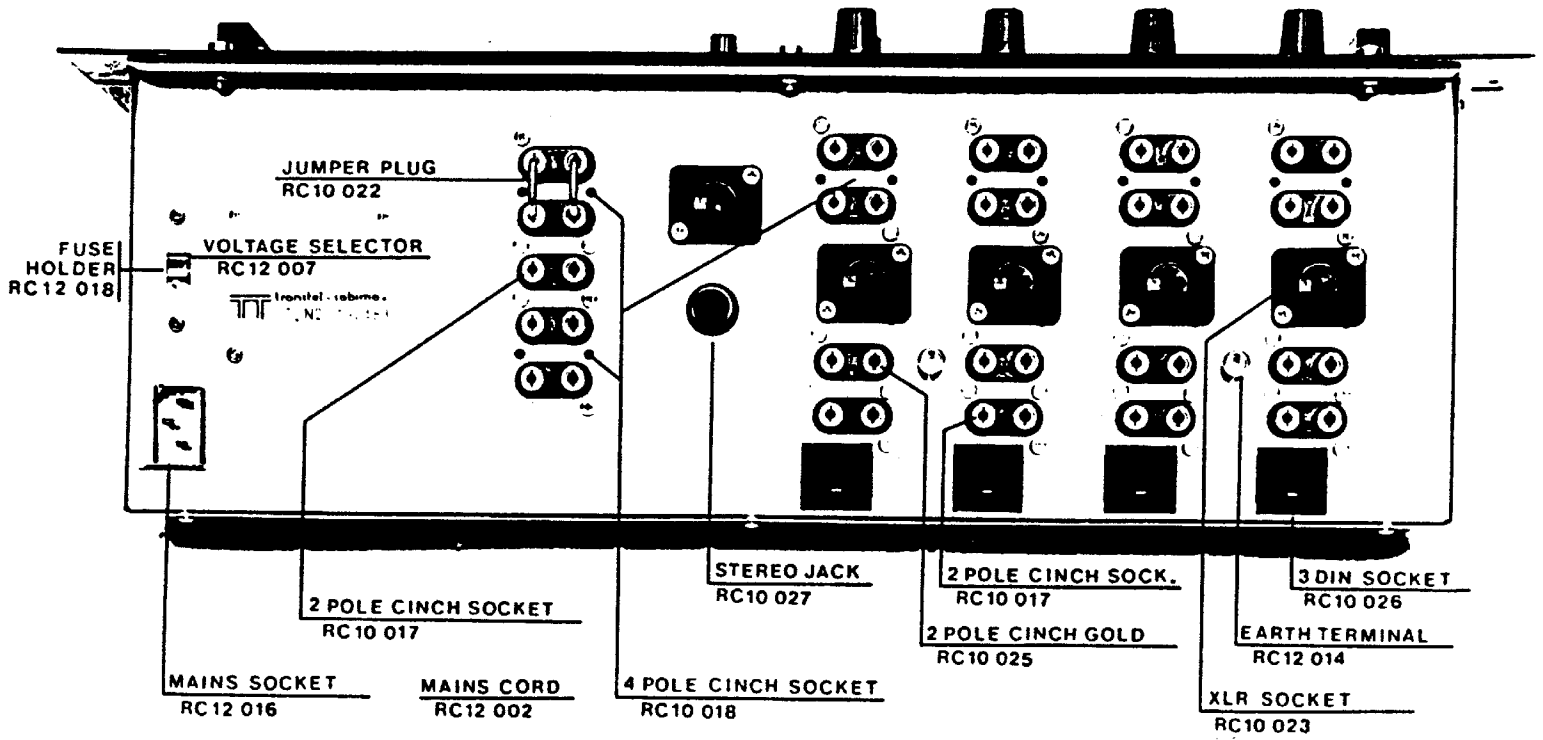
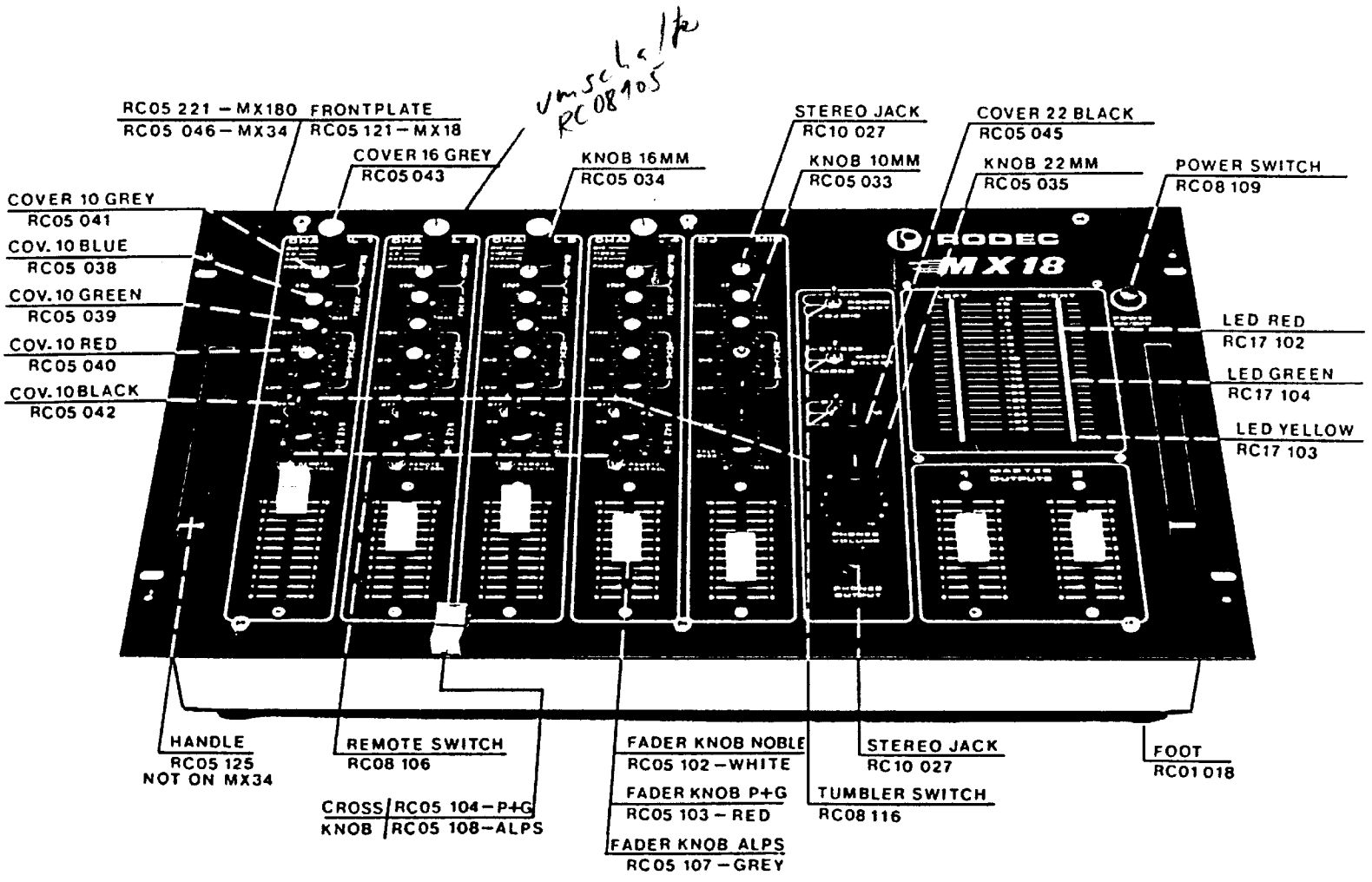
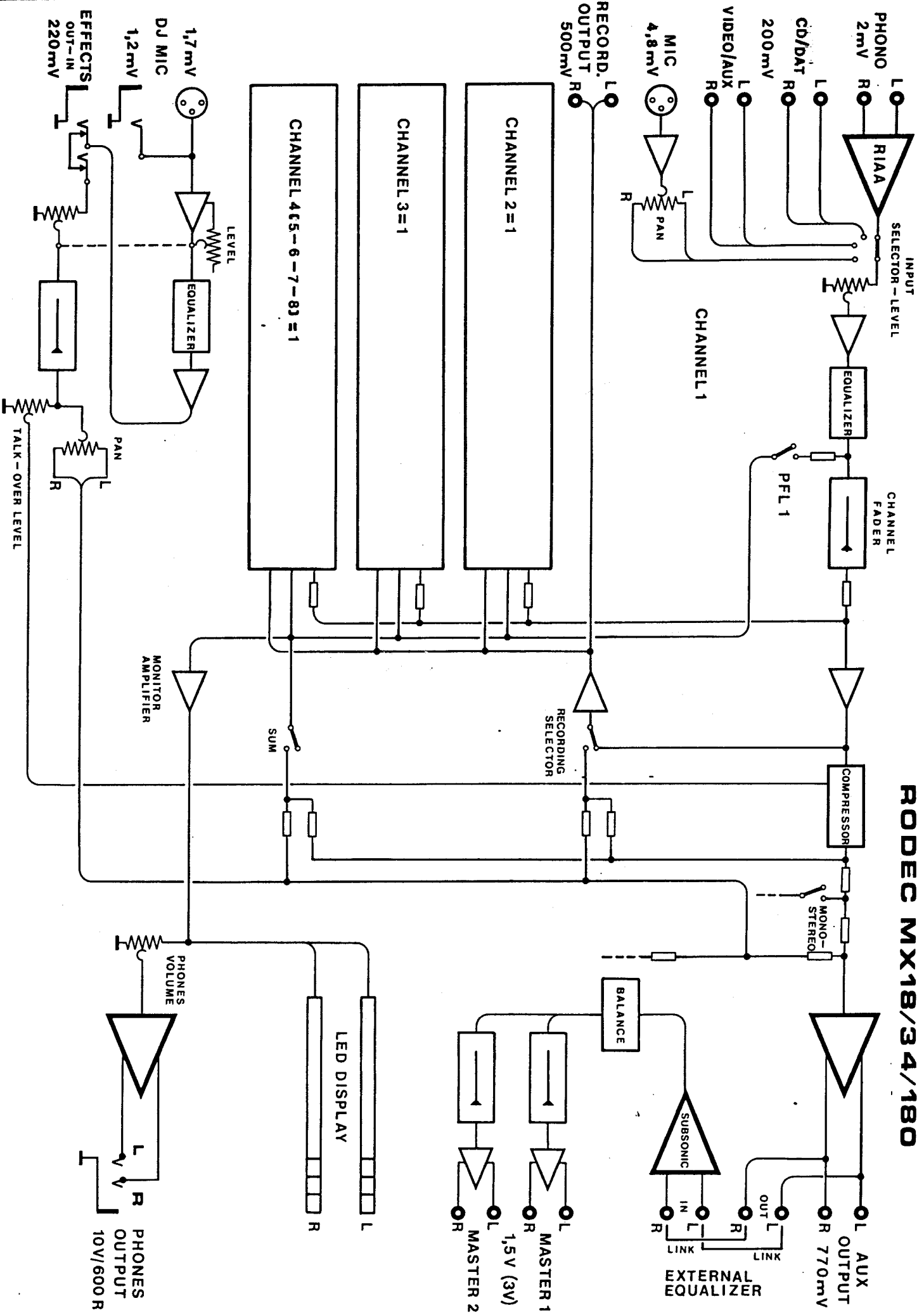
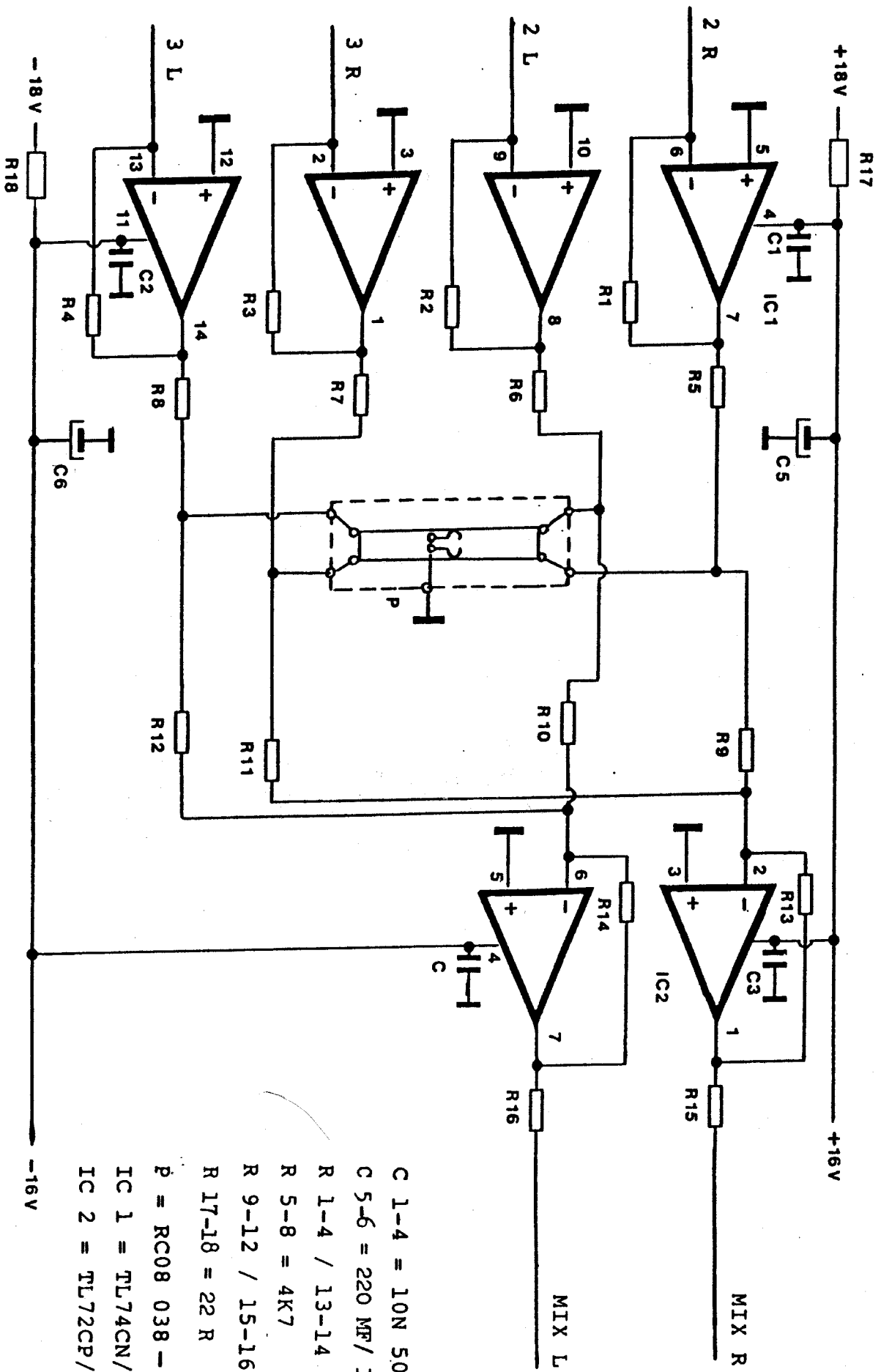


RODEC MX18/180/34 service manual



RODEC MX18/34/180





- C 1-4 = 10N 50%
- C 5-6 = 220 MF / 16V
- R 1-4 / 13-14 = 56K
- R 5-8 = 4K7
- R 9-12 / 15-16 = 47K
- R 17-18 = 22 R
- P = RC08 038 - 2 x 50 KLIN
- IC 1 = TL74CN/LF 347N
- IC 2 = TL72CP/LF 353N

MX 180 / PCB RC25 155

Alps crossfader unit: RC27 069

Crossfader to board flat cable: RC29 035

INPUT CHANNEL CIRCUIT BOARD RC25 050:

Metal film resistors 1/4 watt

Capacitors & semiconductors

| | | | |
|---------------------------|------|------------------------|-------------------------------------|
| R 1,2 | 330R | C 1,2 | 470 PF ceramic capacitor |
| R 3,4 | 1K | C 3,4 | 1 NF ceramic capacitor |
| R 5,6,7,8 | 2K2 | C 5,6 | 2N7 ceramic capacitor |
| R 9,10,11,12 | 6K8 | C 7,8,9,10,11,12,13,14 | 10N ceramic capacitor |
| R 13,14,15,16 | 10K | C 15,16 | 220 PF ceramic capacitor |
| R 17,18,19,20,21,22,23,24 | 12K | C 17 | 10 PF ceramic capacitor |
| R 25,26 | 27K | C 18 | 330 PF ceramic capacitor |
| R 27,28,33,34 | 33K | C 19,20 | 4N7 ceramic capacitor |
| R 29,30,31,32,35,36 | 47K | C 21,22 | 10N polyester cap. |
| R ,39,40,41,42 | 220K | C 23,24 | 68N polyester cap. |
| R 37,38 | 100K | C 25,26,27,28,29,30 | 2M2/63V electrolytic cap |
| R 43,44 | 120K | C 31,32,33,34 | 100M/10V electrolytic cap |
| R 45,46 | 330K | IC 1,2 | TLO72CP/LF353N low noise dual opamp |
| R 47,48,49,50 | 1M | IC 3 | TLO74CN/LF347N low noise quad opam |
| | | IC 4 | NE5534N low noise single opamp. |

| <u>LOCATION REF.</u> | <u>FUNCTION</u> | <u>DESCRIPTION</u> | <u>STOCKNUMBER</u> |
|----------------------|-------------------|-----------------------------------|--------------------|
| P 1 | Mic panoramic | Rotative potentiometer 100K lin | RC08 017 |
| P 5 | Input level | Rotative potentiometer 2x220K log | RC08 032 |
| P 2 | Treble | Rotative potentiometer 2x100K lin | RC08 019 |
| P 3 | Bass | Rotative potertiometer 2x100K lin | RC08 019 |
| P 4 | Mid | Rotative potentiometer 2x100K lin | RC08 019 |
| S 1 | Input selector | Rotative switch 2x4 positions | RC08 105 |
| S 2 | PFL | Tumbler switch | RC08 116 |
| | Recording output | 2 pole Cinch socket | RC10 017 |
| | Phono input | 2 pole Cinch gold | RC10 025 |
| | AUX,CD,VIDEO inp. | 4 pole Cinch socket | RC10 018 |
| | XLR adaptor | 3 pole XLR to PCB | RC10 028 |

DJ MIKE INPUT CHANNEL CIRCUIT RC25 151:

| | | | |
|----------------------------|-------------------|------------------------|------------------------------------|
| R 1 | 100R | C 1 | 330 PF ceramic capacitor |
| R 2,3,25 | 390R | C 2 | 470 PF ceramic capacitor |
| R 4 | 1K | C 3 | 1N5 ceramic capacitor |
| R 5 | 2K2 | C 4 | 4N7 ceramic capacitor |
| R 6,7 | 6K8 | C 5,6,15,16 | 10N ceramic capacitor |
| R 8,9,10,11 | 10K | C ,8,9 | 2M2/63V electrolytic cap |
| R 12,13,14,15 | 12K | C 10,11 | 100M/10V electrolytic cap |
| R 16, ,23 | 22K | C 13 | 47N polyester capacit |
| R 18 | 47K | | |
| R 19 | 100K | D 1,2 | 1N4448 silicium diode |
| R 20,21,22 | 1M | IC 1,2 | TLO74CN/LF347N low noise quad opam |
| P 1 | Treble | Rotative potentiometer | 100K lin RC08 017 |
| P 2 | Bass | Rotative potentiometer | 100K lin RC08 017 |
| P 3 | Mid | Rotative potentiometer | 100K lin RC08 017 |
| P 4 | Talk-over | Rotative potentiometer | 100K lin RC08 017 |
| P 5 | Panoramic | Rotative potentiometer | 100K lin RC08 017 |
| P 6 | Input level | Rotative potentiometer | 2x100K lin RC08 019 |
| Mic input & Effects in/out | Stereo Jack | | RC10 027 |
| XLR adaptor | 3 pole XLR to PCB | | RC10 028 |

MODIFICATION FROM Ser.N° 198.095 on:

C5-6 = 2M2/63V

straps above D1 are replaced by 2 resistors 100 R.

OUTPUT CIRCUIT BOARD RC25 152 (from serial Nr 198 095 on)

| | | | |
|------------------|------|--------------------------|-------------------------|
| R 2-3 | 2K2 | C 1-8,36-37 | 10N ceramic cap. |
| R 9-10,82-83 | 8K2 | C 11-14 | 47N polyester cap. |
| R 11-12 | 180K | C 15-16 | 100N polyester cap. |
| R 13-16 | 10R | C 17-18 | 220N polyester cap. |
| R 17-18 | 18K | C 19-22,25-26,34-35 | 2M2/63V electrolytic c |
| R 19-20 | 22K | C 9-10,31-32 | 100M/10V electrolytic c |
| R 27-28 | 27K | Q 1-2 | BC264A N-channel FET |
| R 29-30 | 33K | Q 3-4 | BC337 NPN transistor |
| R 31-32 | 12K | Q 5-6 | BC327 PNP transistor |
| R 33-36 | 47K | D 1-5 | 1N4148 silicium diode |
| R 37-40,54-57 | 33K | IC 1-4 | TL074/LF347 quad opamp |
| R 40,52-53,78-81 | 220K | IC 5-6 | TL072/LF353 dual opamp |
| R 41-42 | 56K | | |
| R 43-44 | 100K | P 1 100K lin | RC08 017 Balance pot. |
| R 45-46 | 120K | P 2 2x22K log | RC08 020 Phones volume |
| R 47-48 | 150K | P 3 10K preset lin | RC08 035 compressor bal |
| R 50-51 | 39K | | |
| R 58-59 | 68K | S 1-3 | RC08 116 Tumbler switch |
| R 60-61 | 47R | AUX OUTPUT socket | RC10 017 2 pole cinch |
| R 62-63 | 680K | MASTER & EQU.OUTPUT. soc | RC10 018 4 pole cinch |
| R 64-69,76-77 | 1M | PHONES socket | RC10 027 stereo jack |
| R 72-75 | 150R | Muting Relais | RC12 028 4 pole 24V DC |
| R 70-71,84-87 | 4K7 | | |
| R 88-91 | 22R | | |

LED DISPLAY CIRCUIT BOARD RC25 053:

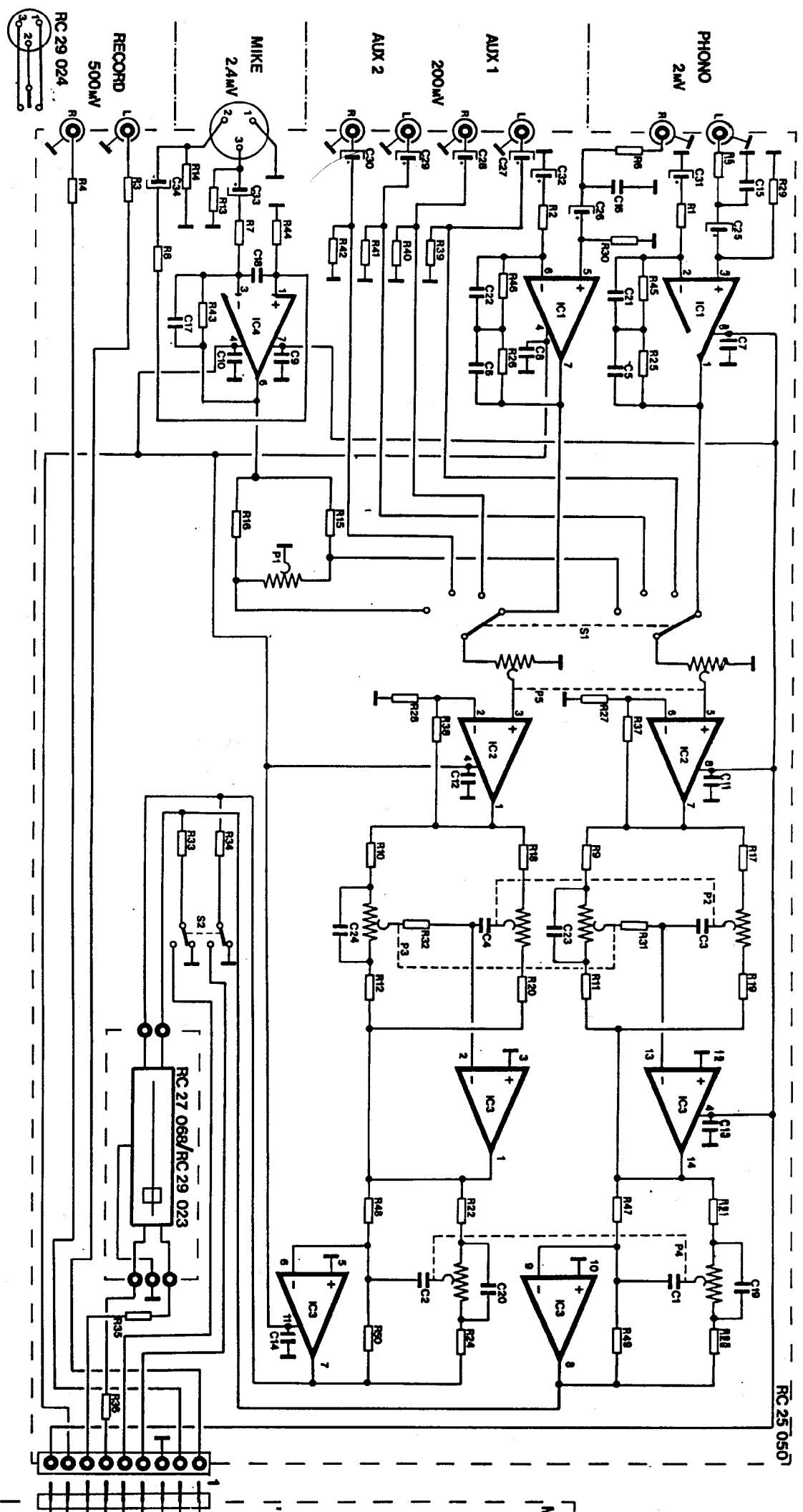
| | | | |
|---------------------|---------------------------|--------------------|-----------------------------------|
| R 1,2 | 1K | IC 1 | TL074CN/LF347N low noise quad op. |
| R 3,4,5,6 | 22K | IC 2,3 | LM3915N led driver IC lower part |
| R 7,8 | 4K7 | IC 4,5 | LM3916N led driver IC upper part |
| R 9,10 | 6K8 | D 1,2,3,4 | 1N4448 silicium diode |
| R 11,12,13,14,15,16 | 150K | Signal LED | RC17 102 red 2x5mm |
| R 17,18 | 1K5 | Signal & pilot LED | RC17 103 yellow 2x5mm |
| C 1,2 | 10N ceramic capacitor | Signal LED | RC17 104 green 2x5mm |
| C 3,4 | 100N polyester capacit. | P1 | RC08 031 adjust upper set 10K lin |
| C 5,6 | 2M2/63V electrolytic cap. | P2 | RC08 031 adjust lower set 10K lin |

POWER SUPPLY CIRCUIT BOARD RC25 054:

| | | |
|-----------|----------------------------------|----------|
| C 4 | 2M2/63V Electrolytic Cap. | |
| R 1 | 18K metal film resistor 1/4 watt | |
| C 1,2,3,5 | 220N polyester capacitor | |
| C 6 | 47M/25V electrolytic capacitor | |
| C 7,8 | 47M/63V electrolytic capacitor | |
| C 9,10 | 2200M/40V electrolytic capacitor | |
| Q 1 | BC559 transistor PNP | |
| D 1 | 1N4448 silicium diode | |
| B 1,2 | B40/C800 diode bridge rectifier | RC17 120 |
| PVR 1 | 7818 positive voltage reg.+18V | RC18 014 |
| NVR 1 | 7918 negative voltage reg.-18V | RC18 015 |
| PVR 2 | 7824 positive voltage reg.+24V | RC18 013 |
| S | power switch | RC08 109 |
| F | 630mA fuses slow blow | RC12 009 |
| | cooling fins for T0220 | RC15 011 |
| T | Mains transformer 22-0-22V | RC21 005 |

www.hi-level.de

| | |
|--------------------------|----------|
| Channel fader unit Alps | RC27 068 |
| Fader to board flatcable | RC29 031 |
| Chann. fader Penny+Giles | RC29 023 |

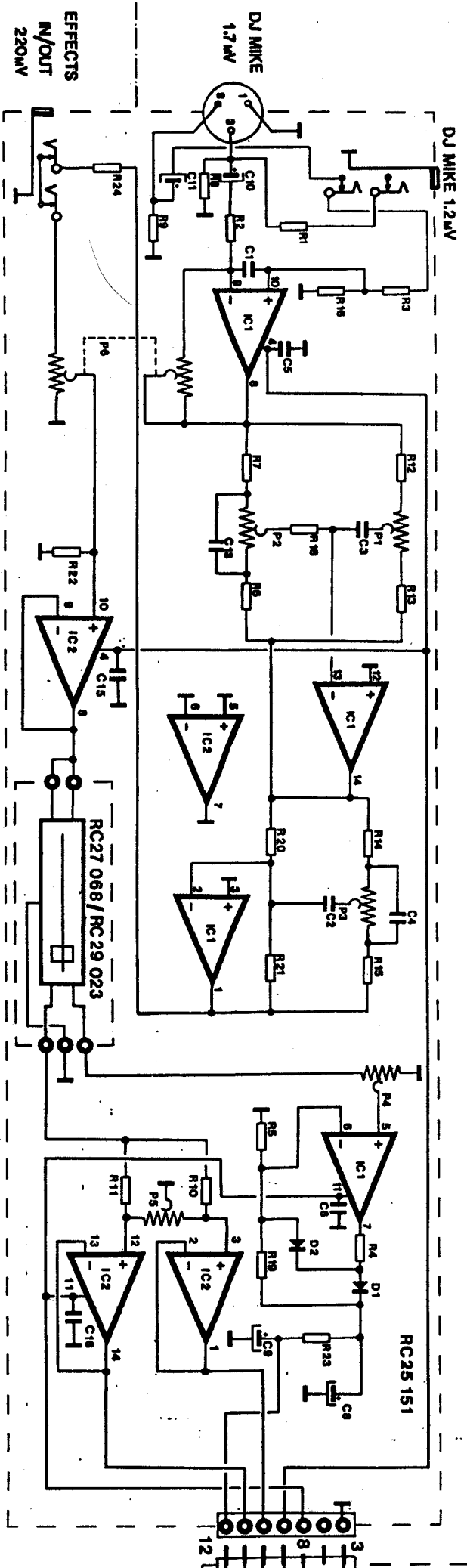


1

RC 25 050

RC 25 050

MX34 8 multi-input channels



RC25 152

3

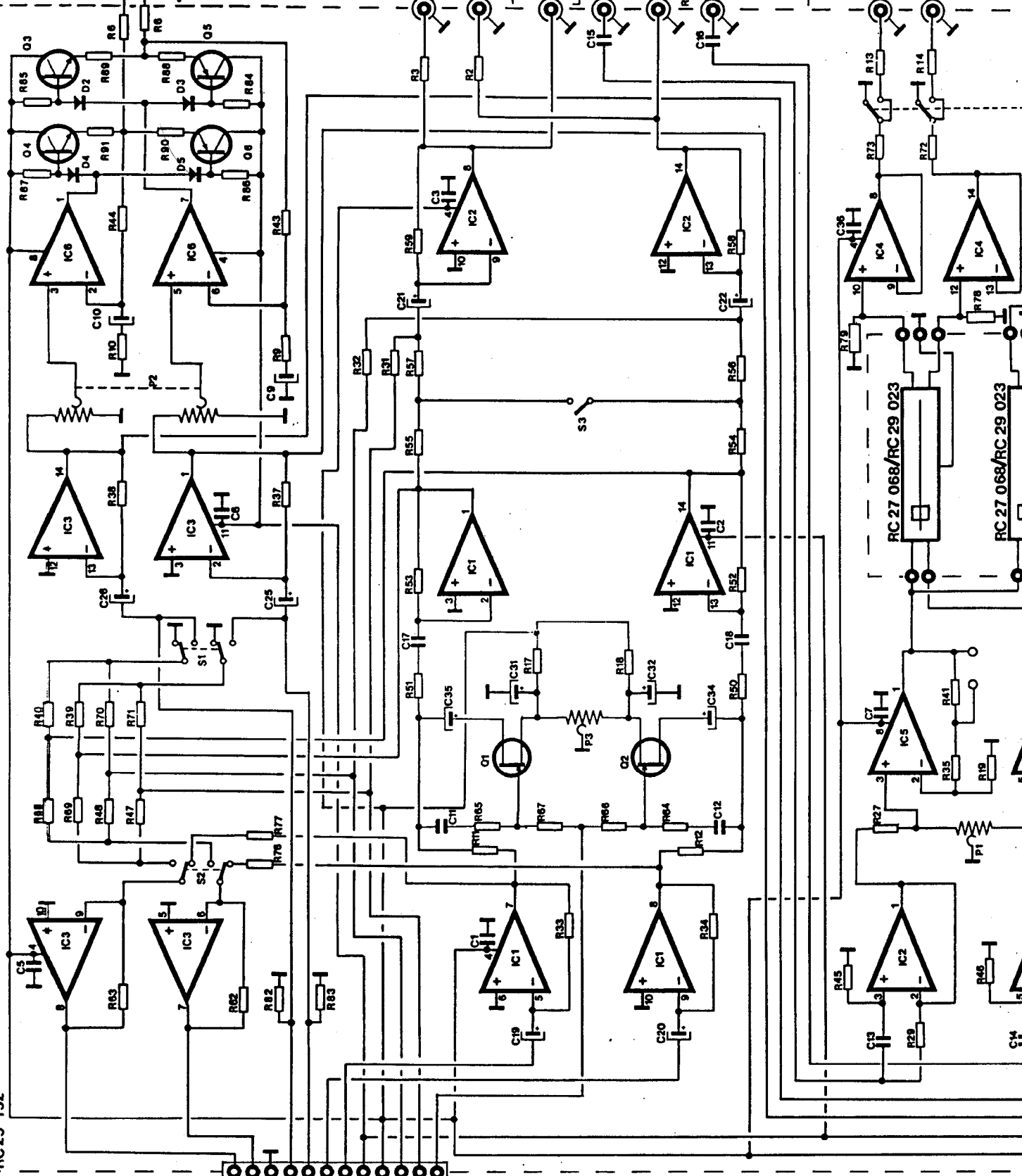
PHONES OUTPUT
4V/50R

AUX OUT
770mW

EFFETS
M/OUT
770mW

MASTER
OUT 1

1.5V/3V

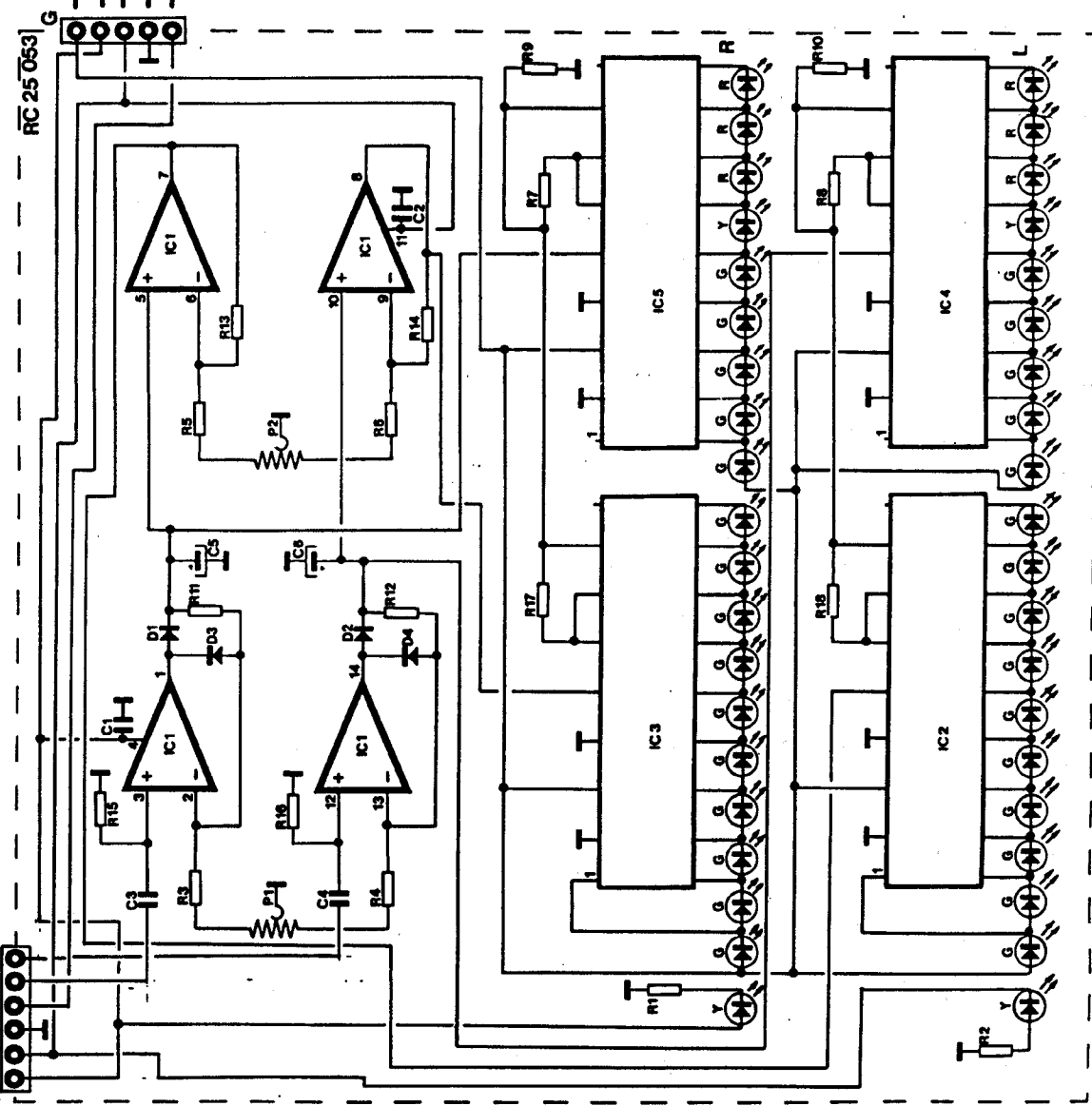
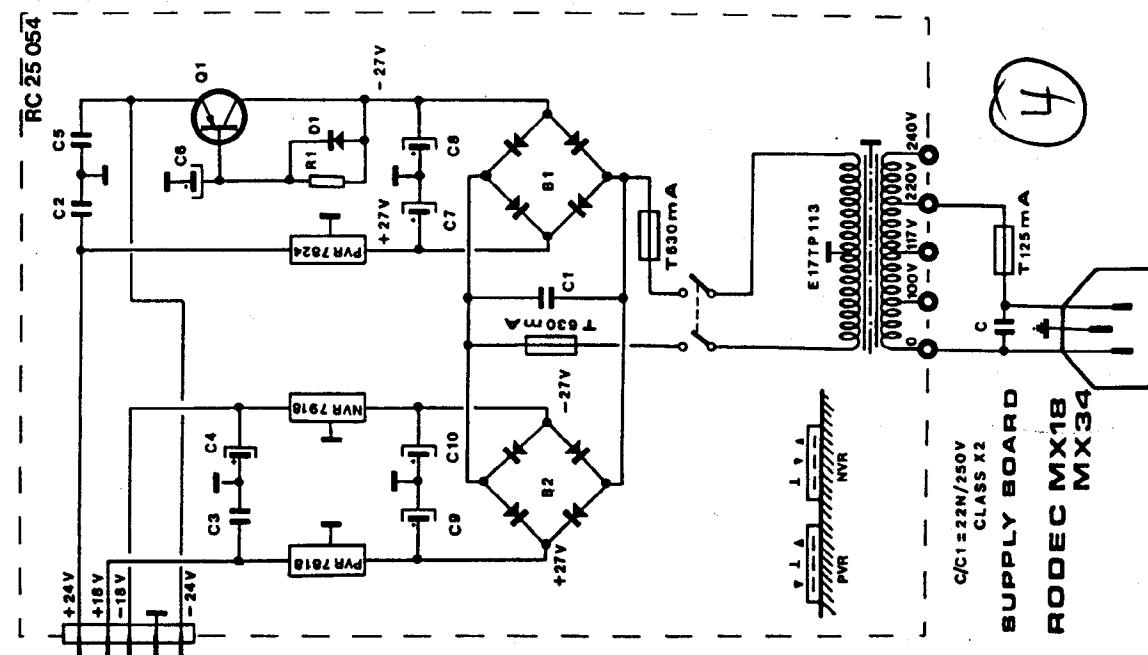
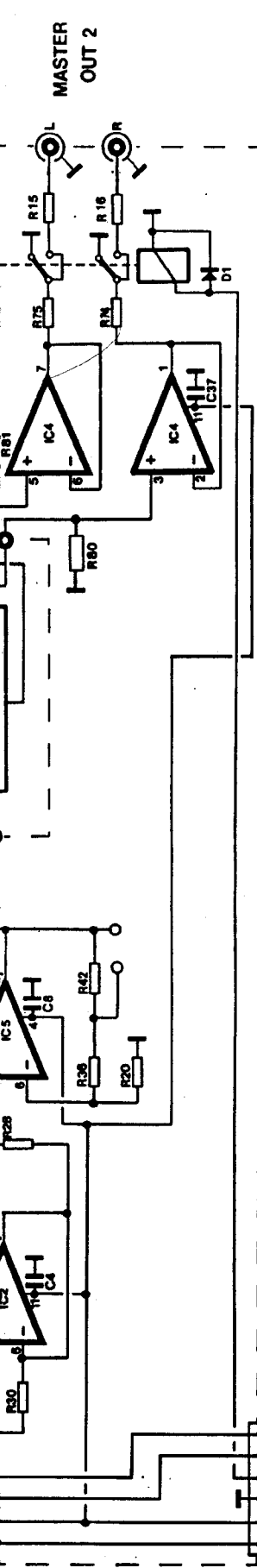


MX18-RC25055
1-RC25059

MON R
MIX R
MIX L
MON L
MIKE R
MIKE L
AGC

RC27 068/RC29 023

RC27 068/RC29 023

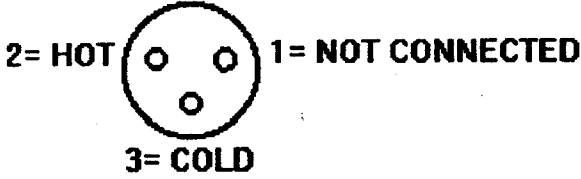


C/C1 = 22N/250V
CLASS X2
SUPPLY BOARD
RODEC MX18
MX34

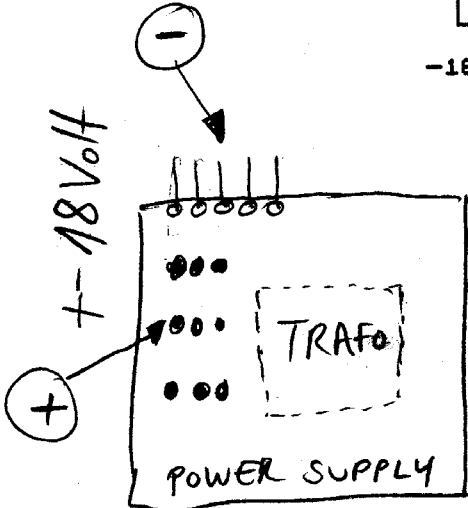
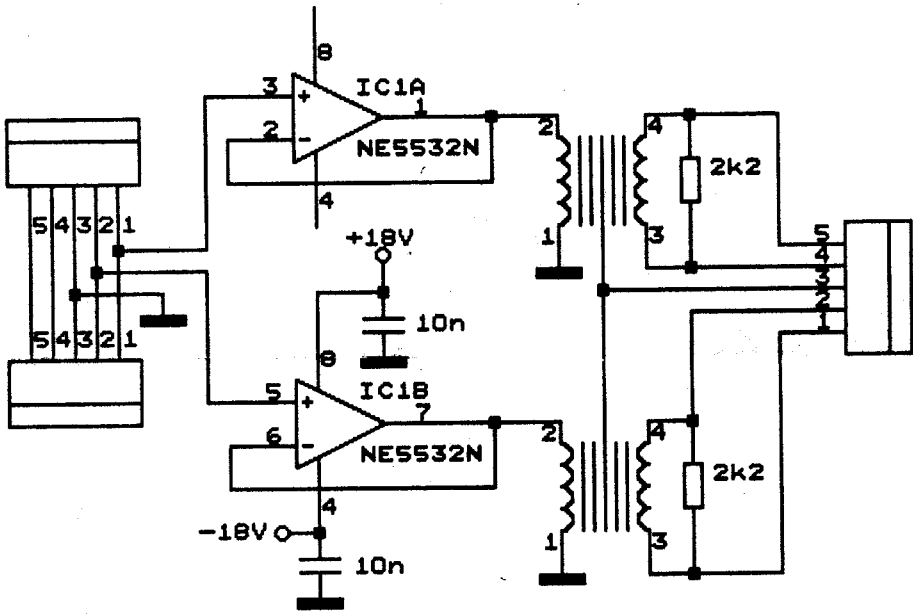
4

RC27 067 Symmetrical earthfree balanced output unit.

XLR MALE



EUROPEAN STANDARD CONNECTION (FOR USA: 2=COLD AND 3=HOT)



LEFT: Yellow = 2
Blue = 3

RIGHT: Red = 2
Green = 3

Black = metal chassis

