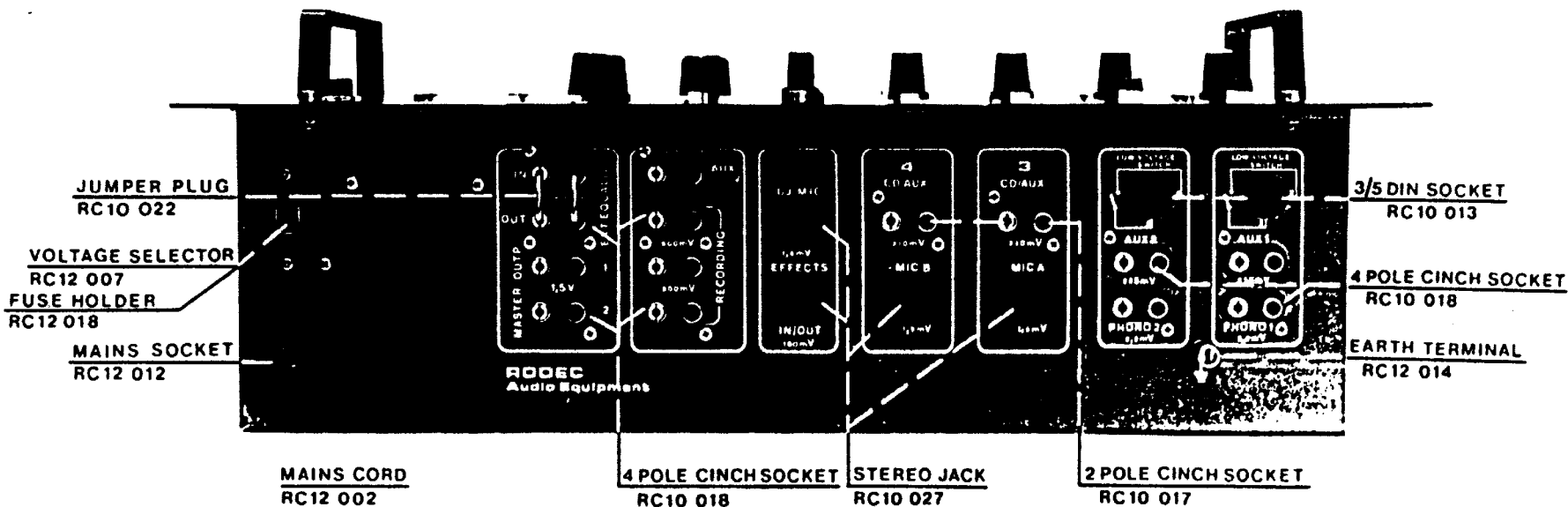
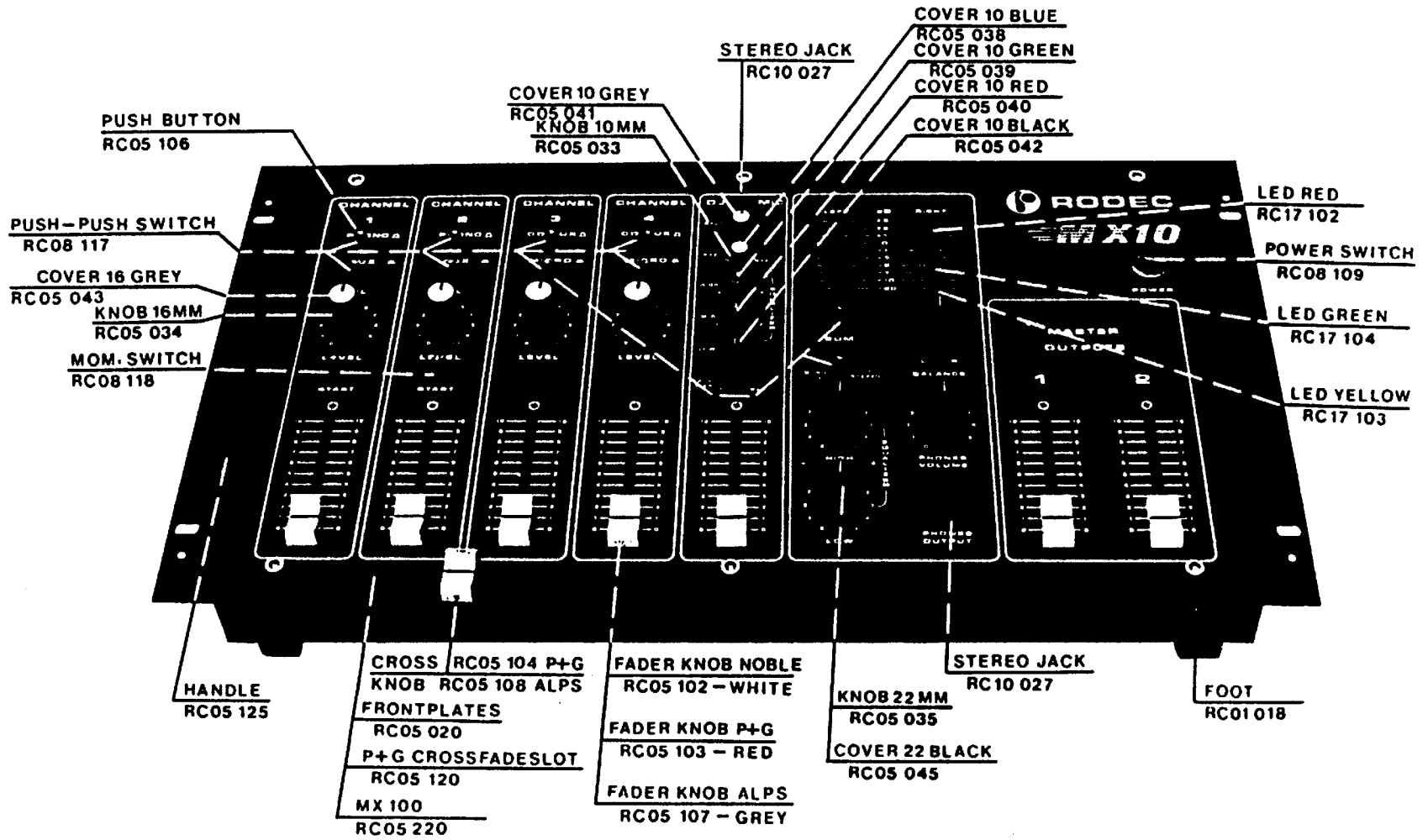
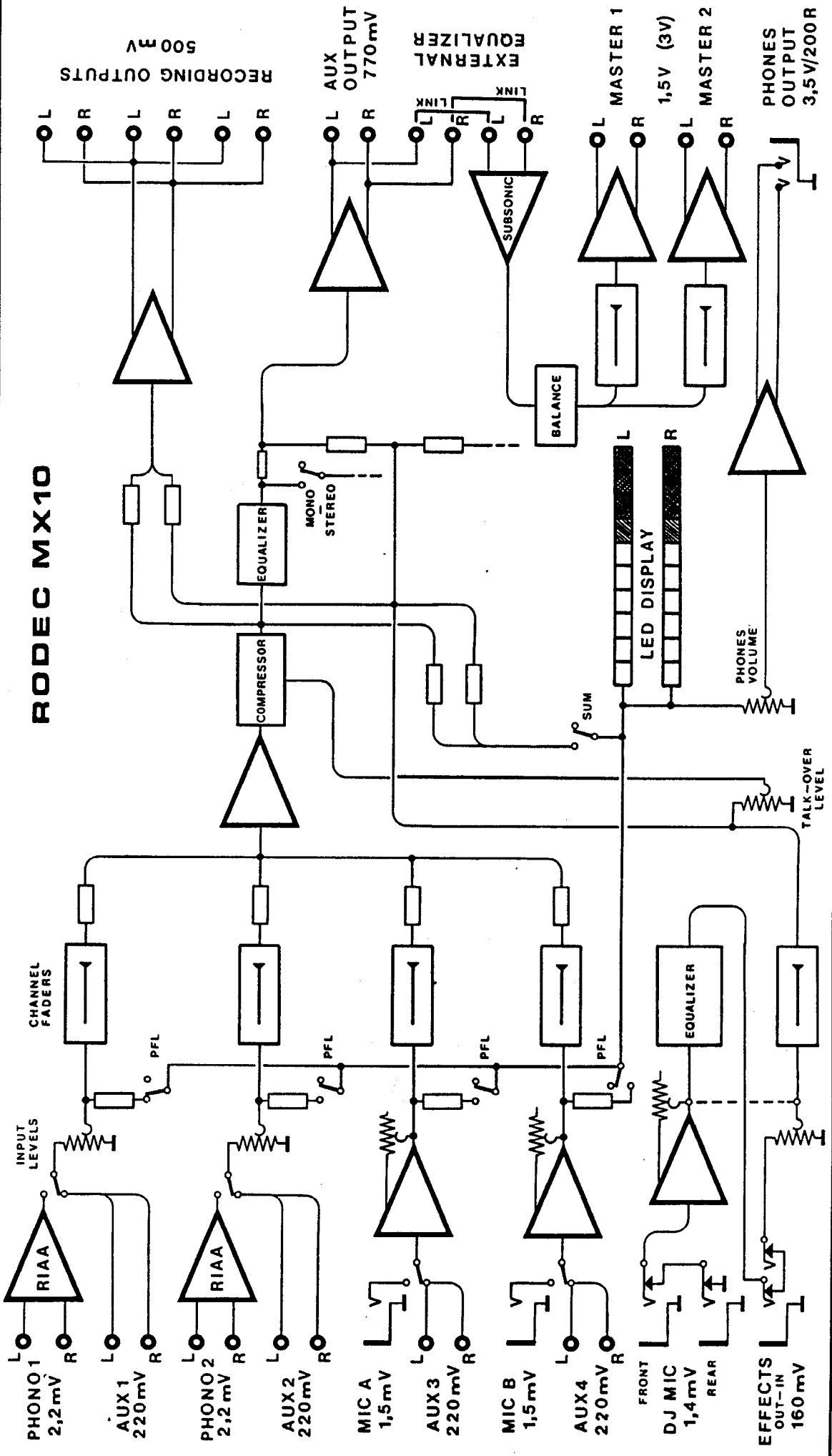
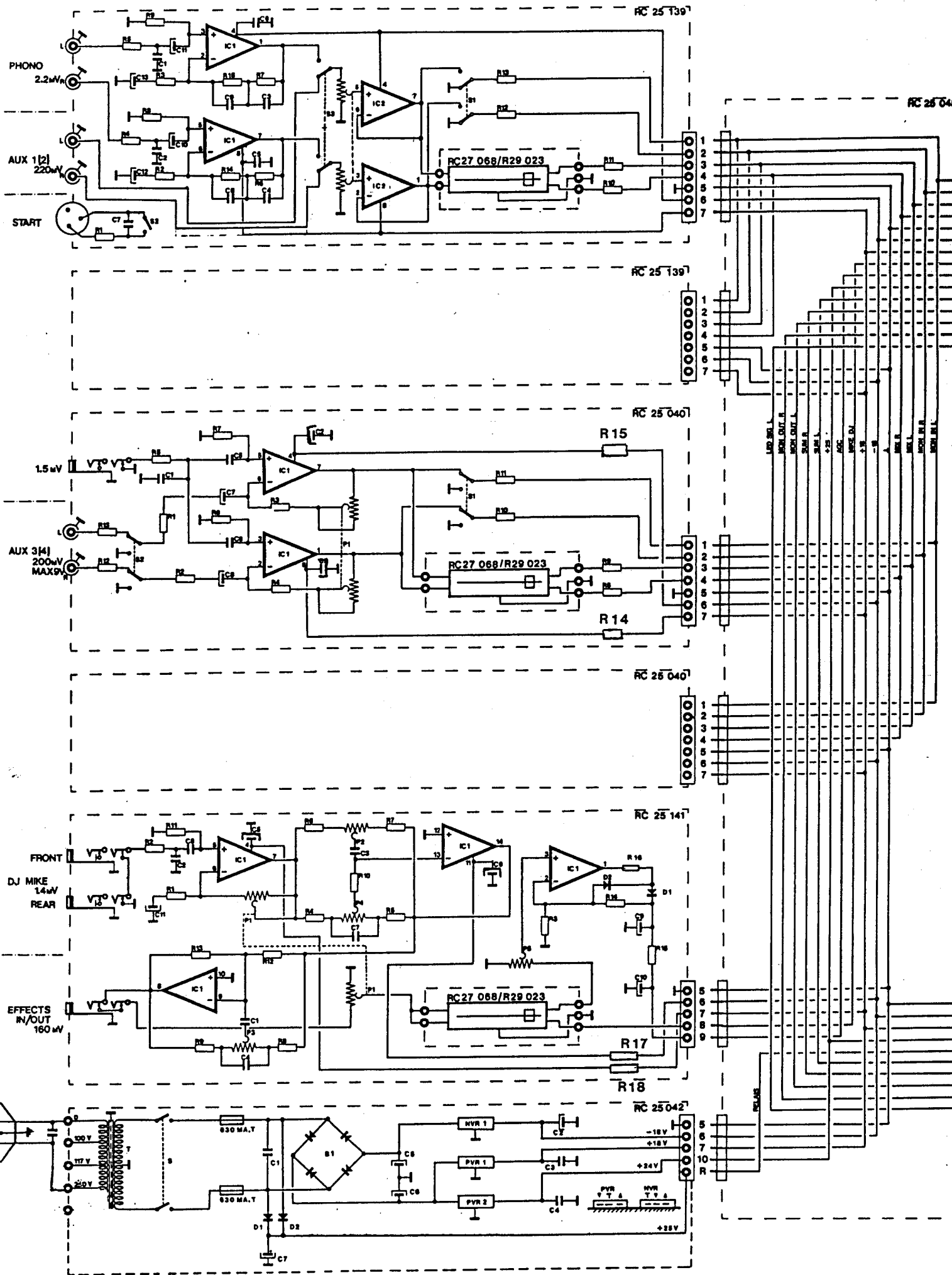


RODEC MX10/100 service manual

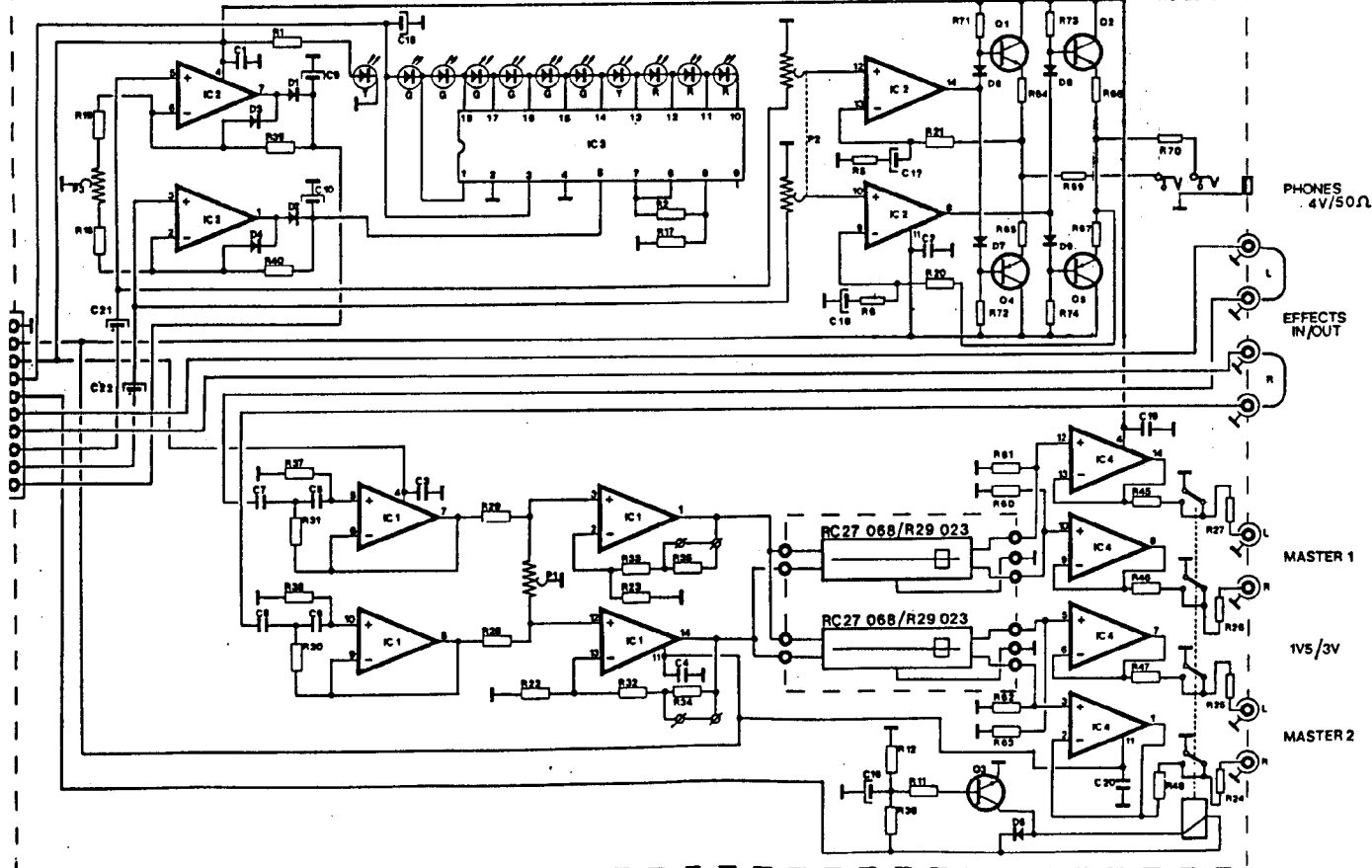
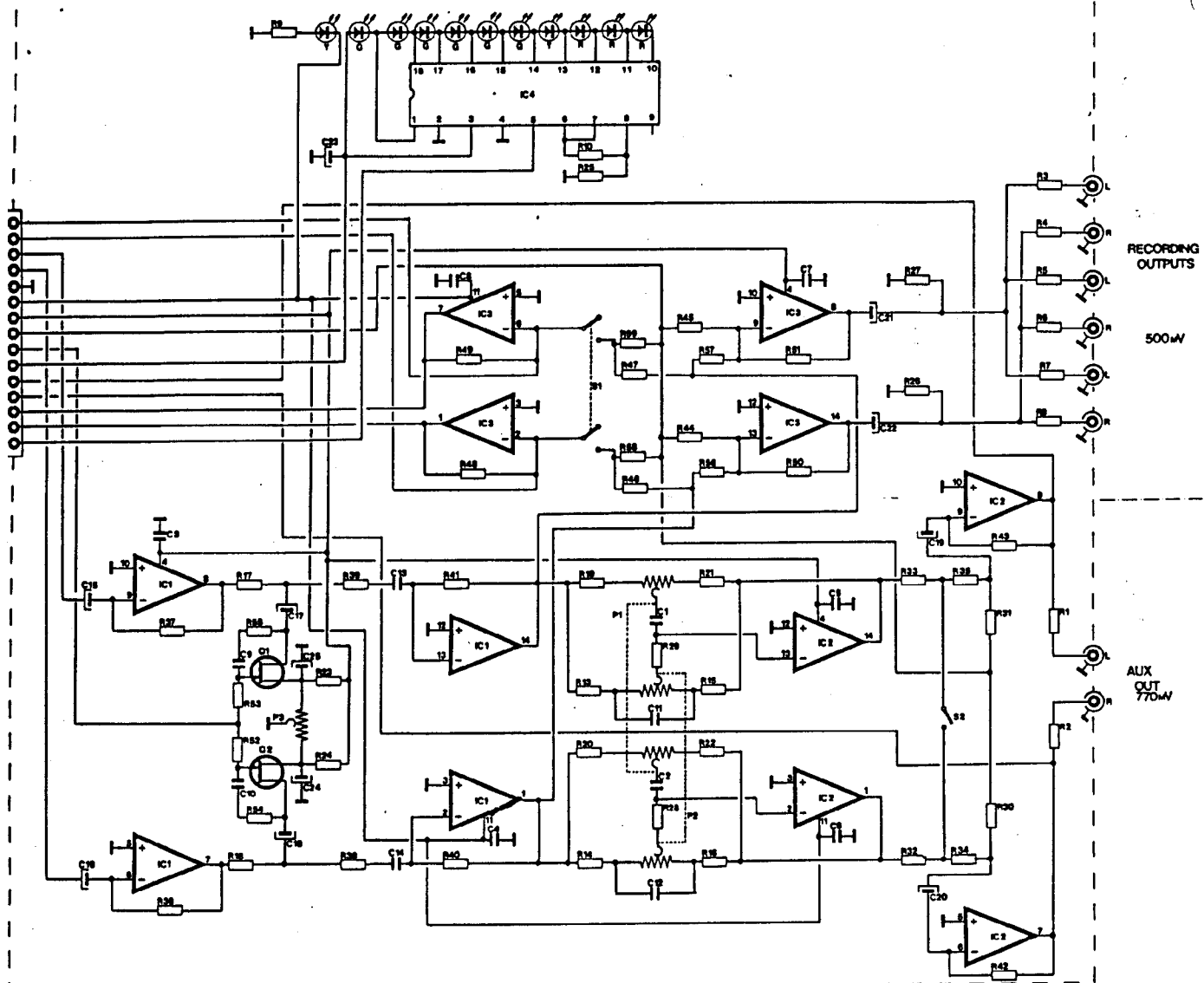


RODEC MX10





RODEC MX10/100



Metal film resistors 1/4 watt

R1	10R
R2,3	330R
R4,5	2K2
R 6,7	27K
R 8,9,10,11	47K
R 12,13	100K
R 14,15	330K

Capacitors & semiconductors

C 1,2	220 P	ceramic capacitor
C 3,4	2N7	ceramic capacitor
C 5,6,7,14,15	10N	ceramic capacitor
C 8,9	10N	polyester capacitor
C 10,11	2M2/63V	electrolytic cap.
C 12,13	100M/10V	electrolytic cap.
IC 1,2	TLO72CP/LF353N	dual opamp.

<u>Location ref.</u>	<u>Function</u>	<u>Description</u>	<u>Stocknumber</u>
P	Input level	Rotative potentiometer 2x 100K lin	RC08 019
S 1	PFL	Push-push switch	RC08 117
S 2	Start	Momentary push switch	RC08 118
S 3	Input selector	Push-push switch	RC08 117
-	Start connector	3/5 DIN socket	RC10 013
-	Inputs	4 pole cinch socket	RC10 018

AUX-CD/MIKE INPUT CIRCUIT BOARD RC25 140

R 1,2,3,4	680R	C 1	1N	ceramic capacitor
R 5	2K2	C 2,3	2M2	electrolytic cap.
R 6,7,8,9	47K	C 5,6	47N	polyester capacitor
R 10,11,12,13	100K	C 7,8	100M/10V	electrolytic cap.
R 14,15	100R	IC	TLO72CP/LF353N	dual opamp.
S 1	PFL	Push-push switch		RC08 117
S.2	Input selector	Push-push switch		RC08 117
P 1	Input level	Rotative potentiometer 2x100K lin		RC09 019
-	Mike input	Stereo jack		RC10 027
-	AUX-CD input	2 pole cinch socket		RC10 017

DJ-MIKE INPUT CIRCUIT BOARD RC25 141 (mechanically not interchangeable with RC25 041)

R 17/18	100R			
R 1	180R	C 1	470 P	ceramic capacitor
R 2,3	2K2	C 2	1N	ceramic capacitor
R 16	1K	C 3	1N5	ceramic capacitor
R 4,5	6K8	C 4	4N7	ceramic capacitor
R 6,7,8,9	12K	C 5,6	2M2	electrolytic cap.
R 10,11	47K	C 7	47N	polyester capacitor
R 12,13	1M	C 8	220N	polyester capacitor
R 14	100K	C 9,10	2M2/63V	electrolytic cap.
R 15	22K	C 11	100M/10V	electrolytic cap.
D 1,2	silicium diode 1N4148	IC 1	TLO74CN/LF347N	quadro opamp.
P1	Input level	Rotative potentiometer 2x22K lin		RC08 030
P2	Treble	Rotative potentiometer 100K lin		RC08 017
P3	Mid	Rotative potentiometer 100K lin		RC08 017
P4	Bass	Rotative potentiometer 100K lin		RC08 017
P5	Talk-over	Rotative potentiometer 100K lin		RC08 017
-	Mike inputs	Stereo jack		RC10 027

POWER SUPPLY CIRCUIT BOARD RC25 042

C 1,3,4	220N	polyester capacitor/// C2	elec.cap. 2M2/63V
C 5,6	2200M/40V	electrolytic capacitor	
C 7	47M/25V	electrolytic capacitor	
D 1,2	1N4148	silicium diode	
B 1	B40/C800	rectifier bridge	RC17 120
NVR 1	7918	negative voltage regulator	RC18 015
PVR 1	7818	positive voltage regulator	RC18 014
PVR 2	7824	positive voltage regulator	RC18 013
S	Power on/off	Push-push switch	RC08 109
F	Fuses 630mA.T.	fuse slow-blow	RC12 009
-	T0220 cooling fin		RC15 011
T	19-0-19 V	Mains transformer	RC21 005

Metal film resistors 1/4 watt

Capacitors & semiconductors

R 1,2,3,4,5,6,7,8,9
 R 10
 R 13,14,15,16
 R 42,43,44,45
 R 19,20,21,22,38,39
 R 23,24
 R 25
 R 26,27
 R 28,29,30,31
 R 32,33,34,35
 R 36,37
 R 17,18,40,41,58,59
 R 46,47
 R 48,49
 R 50,51
 R 52,53,54,55
 R 56,57

1K
 2K2
 6K8
 220K
 12K
 18K
 15K
 27K
 47K
 56K
 100K
 68K
 180K
 330K
 680K
 1M
 560K

C 1,2 1N5 ceramic capacitor
 C 3,4,5,6,7,8 10N ceramic capacitor
 C 9,10,11,12 47N polyester cap.
 C 13,14 220N polyester cap.
 C 15,16,17,18,19,20,21,22,23 2M2/63V electrol.c.
 C 24,25 100M/10V electrolytic cap.
 Q 1,2 BC 264A N-channel FET
 IC 1,2,3 TL074CN/LF347N quad opamp.
 IC 4 LM3916N LED driver IC
 Signal LED RC17 102 red 2x5mm
 Signal & Pilot RC17 103 yellow 2x5mm
 Signal LED RC17 104 green 2x5mm

<u>Location ref.</u>	<u>Function</u>	<u>Description</u>	<u>Stocknumber</u>
P1	Treble	Rotative potentiometer 2x100K lin	RC08 019
P2	Bass	Rotative potentiometer 2x100K lin	RC08 019
P3	Adjust LED displ.	Adjust potentiometer 10K lin	RC08 035
S1	SUM switch	Push-push switch	RC08 117
S2	Mono/Stereo	Push-push switch	RC08 117
-	Output sockets	4 pole cinch socket	RC10 018

OUTPUT CIRCUIT BOARD RC25 144

R 1,11 1K C 1-4,19-20 10N ceramic cap.
 R 2,5-6 2K2 C 5-6 47N polyester cap.
 R 12,17 15K C 7-8 100N polyester cap.
 R 18-19 18K C 9-10,15,21-22 2M2/63V electrolytic c
 R 20-23 22K C 16-18 100M/10V electrolytic c
 R 24-27 10R D 1-9 1N4148 silicium diode
 R 28-29 27K Q 1-2 BC337 NPN transistor
 R 30-31 33K Q 3 BC549 NPN transistor
 R 32-33 47K Q 4-5 BC327 PNP transistor
 R 34-35 56K IC 1-2,4 TL074/LF347 quadro opamp
 R 36,60-63 220K IC 3 LM3916N LED driver log
 R 37-38 120K Signal LED red RC17 102
 R 39-40 180K Signal LED yellow RC17 103
 R 64-67 22R Signal LED green RC17 104
 R 69-70 47R
 R 71-74 4K7

P1	Balance	Rotative potentiometer 100K lin	RC08 017
P2	Phones Level	Rotative potentiometer 2x22K log	RC08 020
P3	Adjust LED displ.	Adjust potentiometer 10K lin	RC08 035
-	Output sockets	4 pole cinch socket	RC10 018
-	Phones output	Stereo jack	RC10 027
-	Output disconnect	Relais	RC12 028

Channel fader unit Alps RC27 068
 Fader to board flatcable RC29 031
 Chann. fader Penny+Giles RC29 023

www.hi-level.de